

FIG. 1A

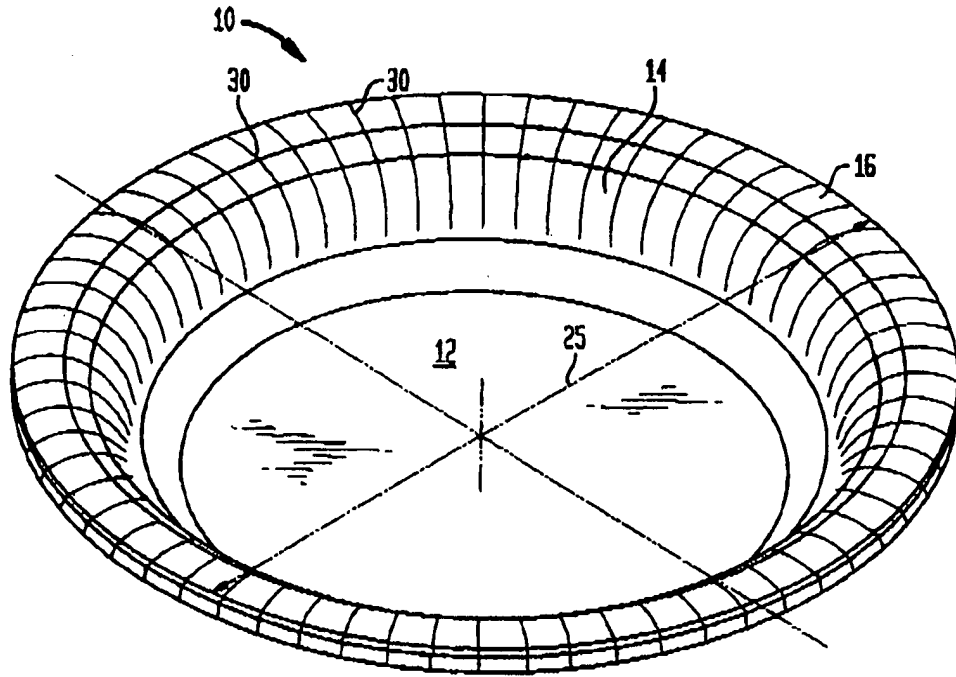
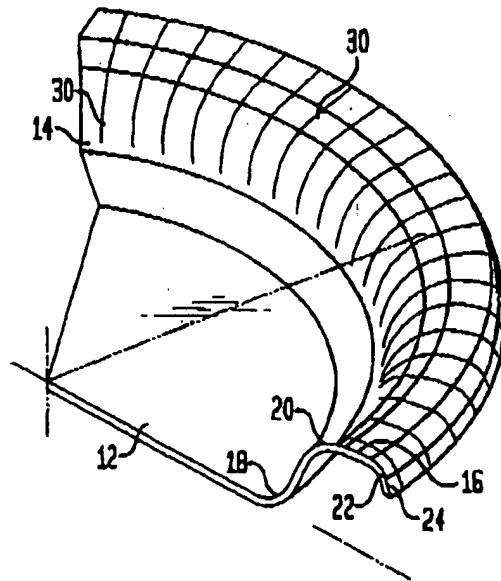


FIG. 1B



FOOTPRINTS

FIG. 2A

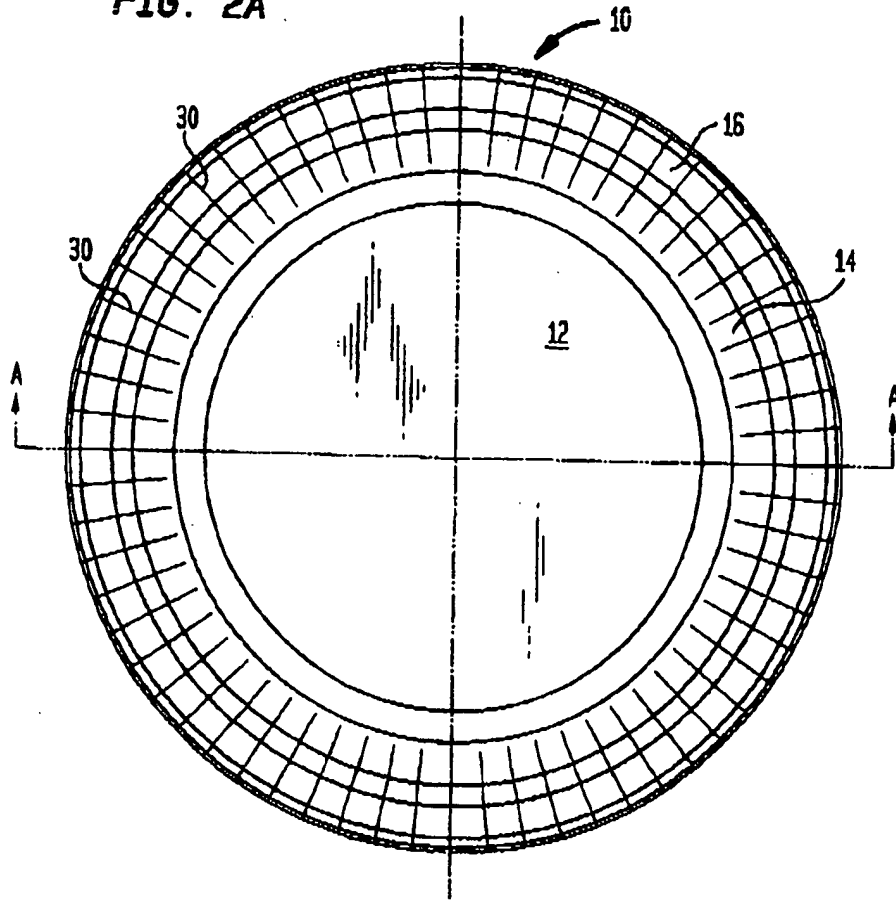


FIG. 2B

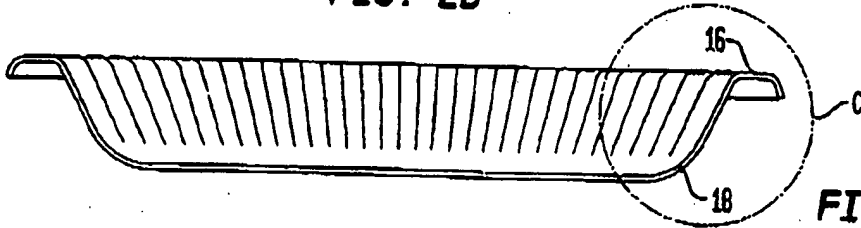
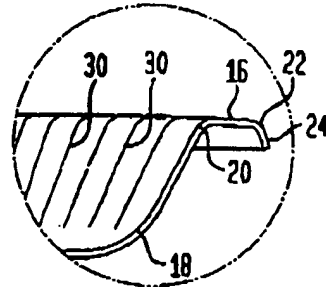


FIG. 2C



FOR "PUBLISHED"

FIG. 3

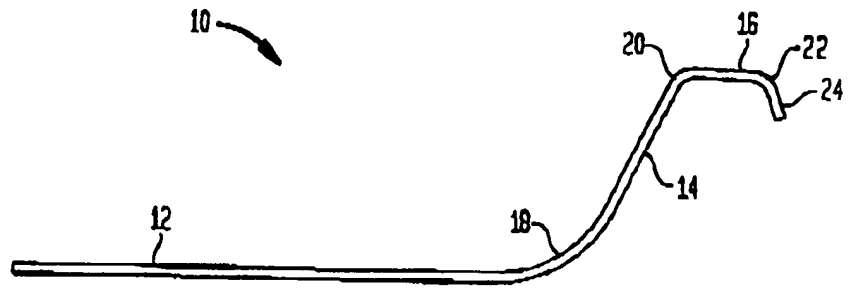
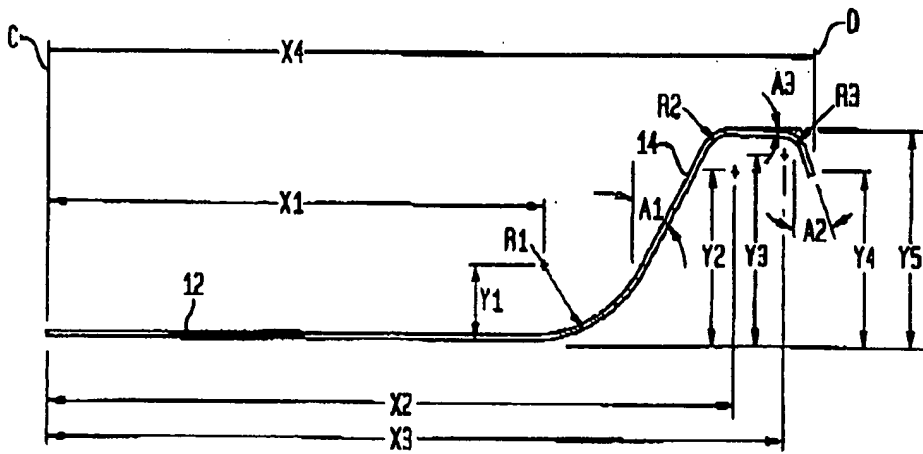


FIG. 4



FOOTPRINT 454650

FIG. 5A

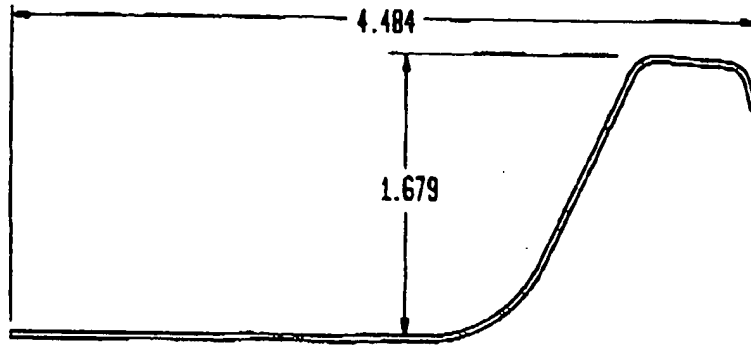


FIG. 5B

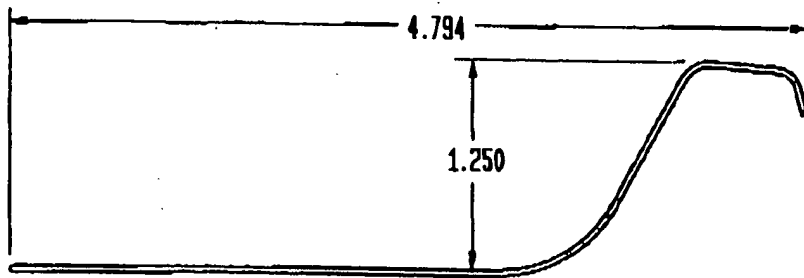
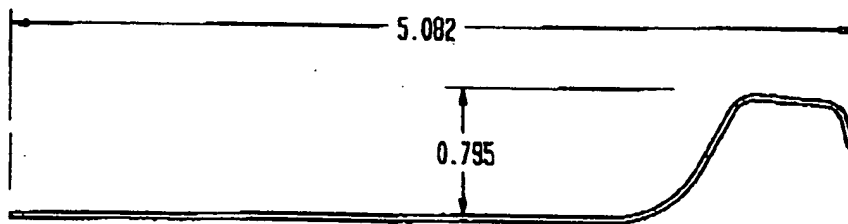


FIG. 5C



FOR "H8H82650"

FIG. 6A

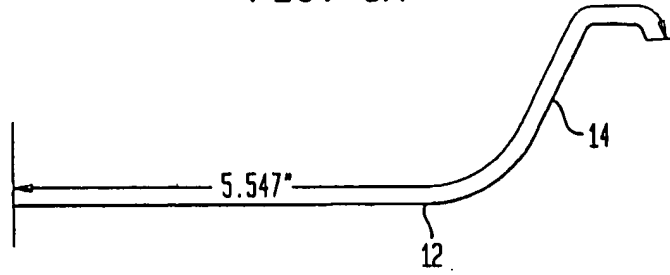


FIG. 6B

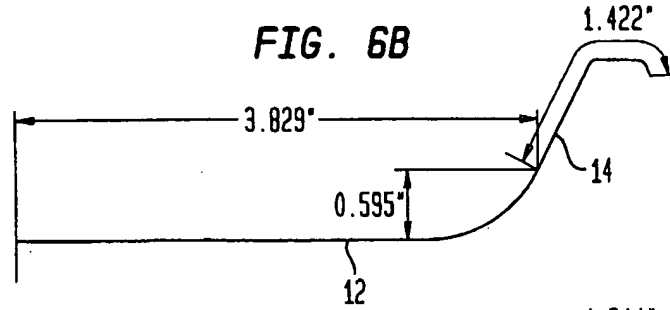


FIG. 6C

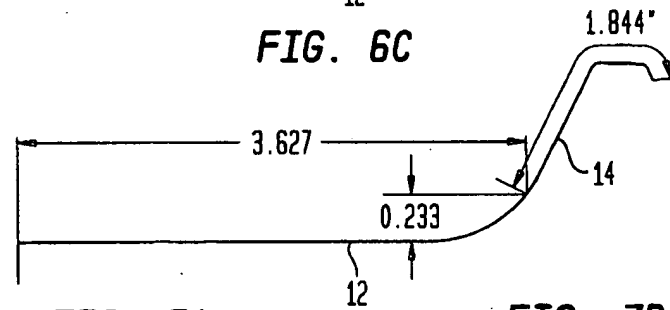


FIG. 7A

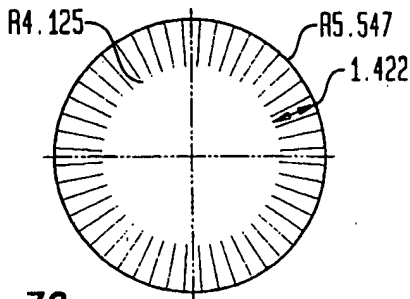


FIG. 7B

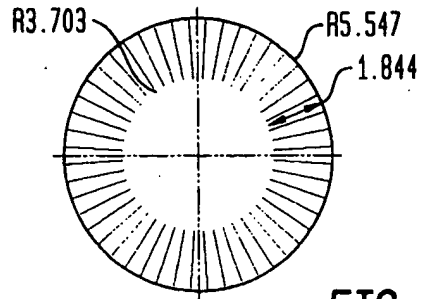


FIG. 7C

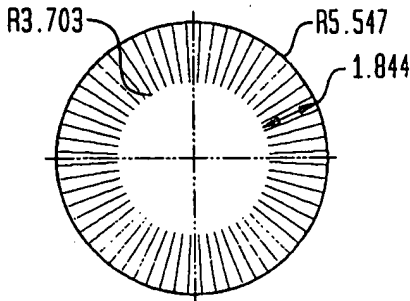


FIG. 7D

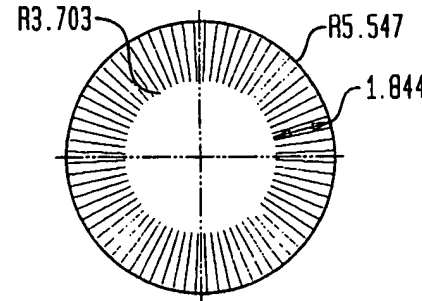


FIG. 6A 5.547 12 14 1.422 3.829 0.595 12 14 1.844 3.627 0.233 12 14 R4.125 R5.547 1.422 R3.703 R5.547 1.844 R3.703 R5.547 1.844 R3.703 R5.547 1.844

FIG. 8A

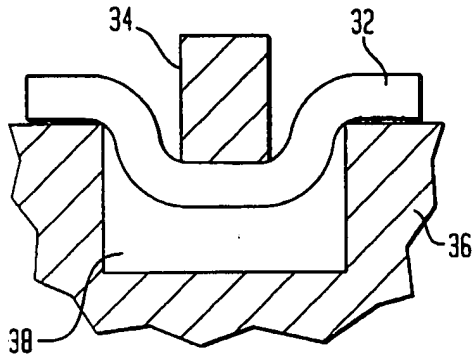


FIG. 8B

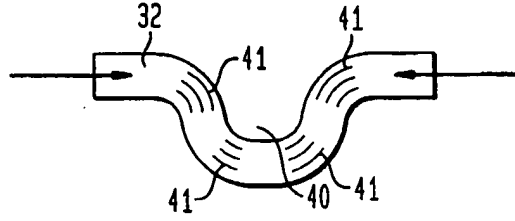


FIG. 8C

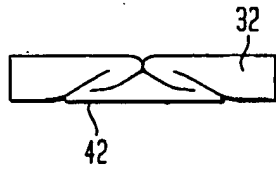
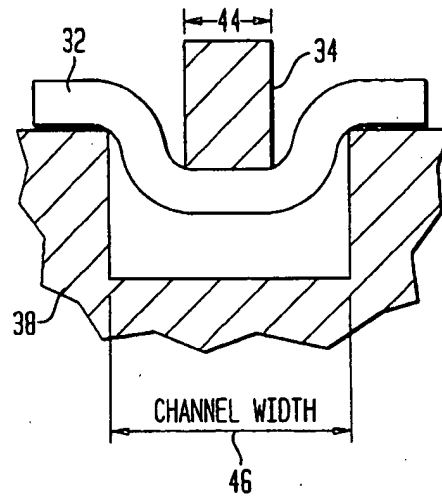


FIG. 9



TOP SECRET 4242650

FIG. 10

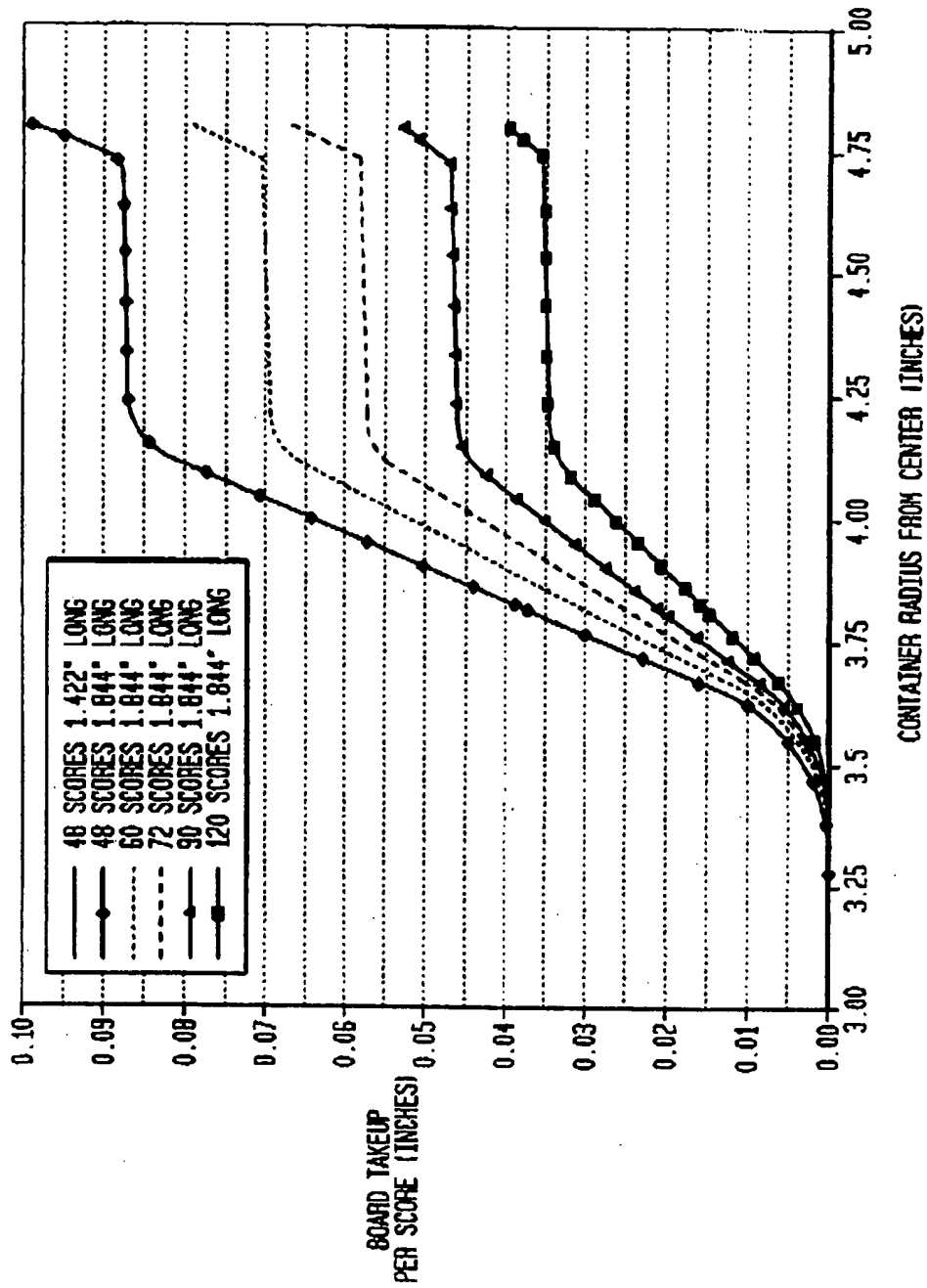


FIG. 11

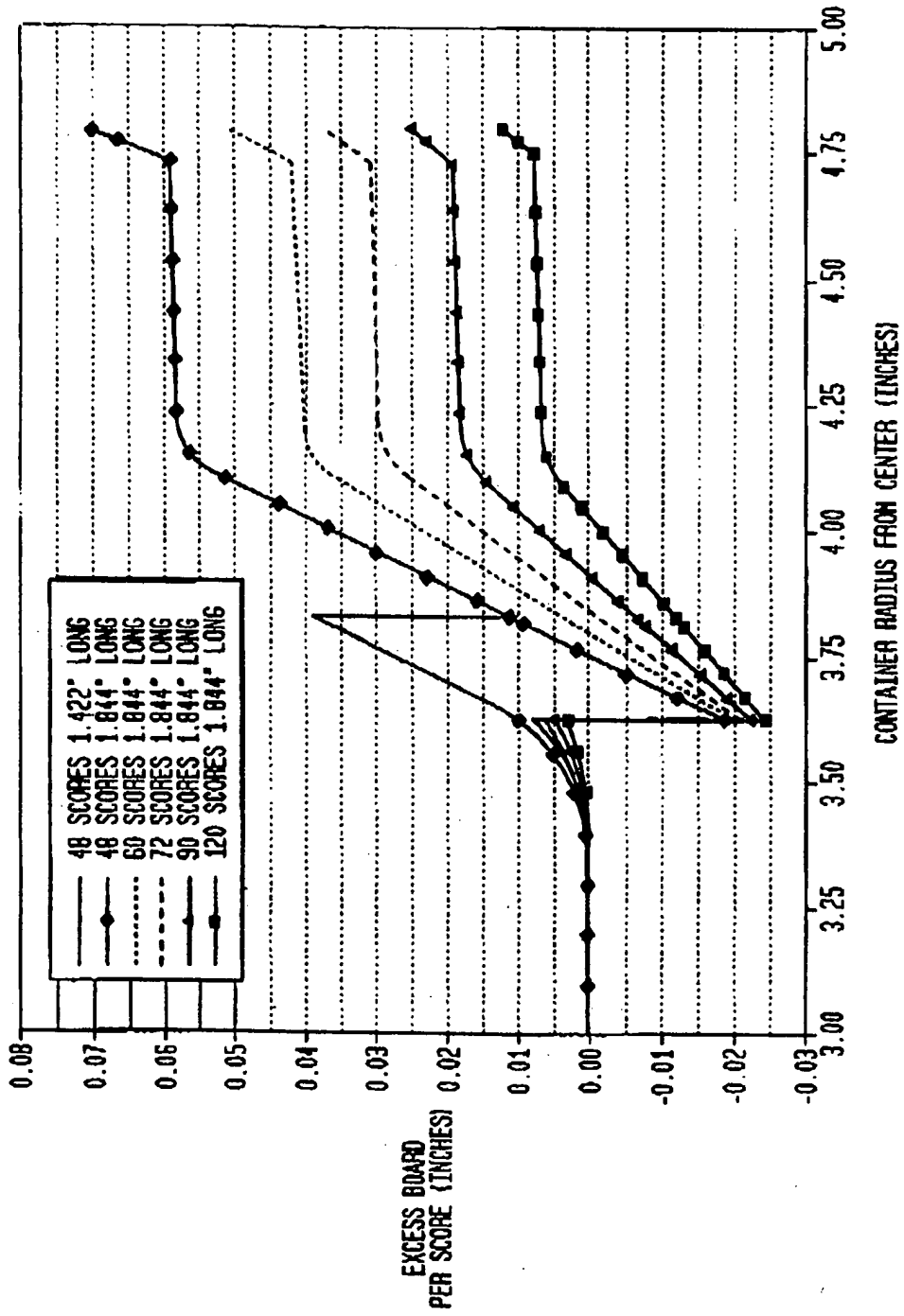




FIG. 12

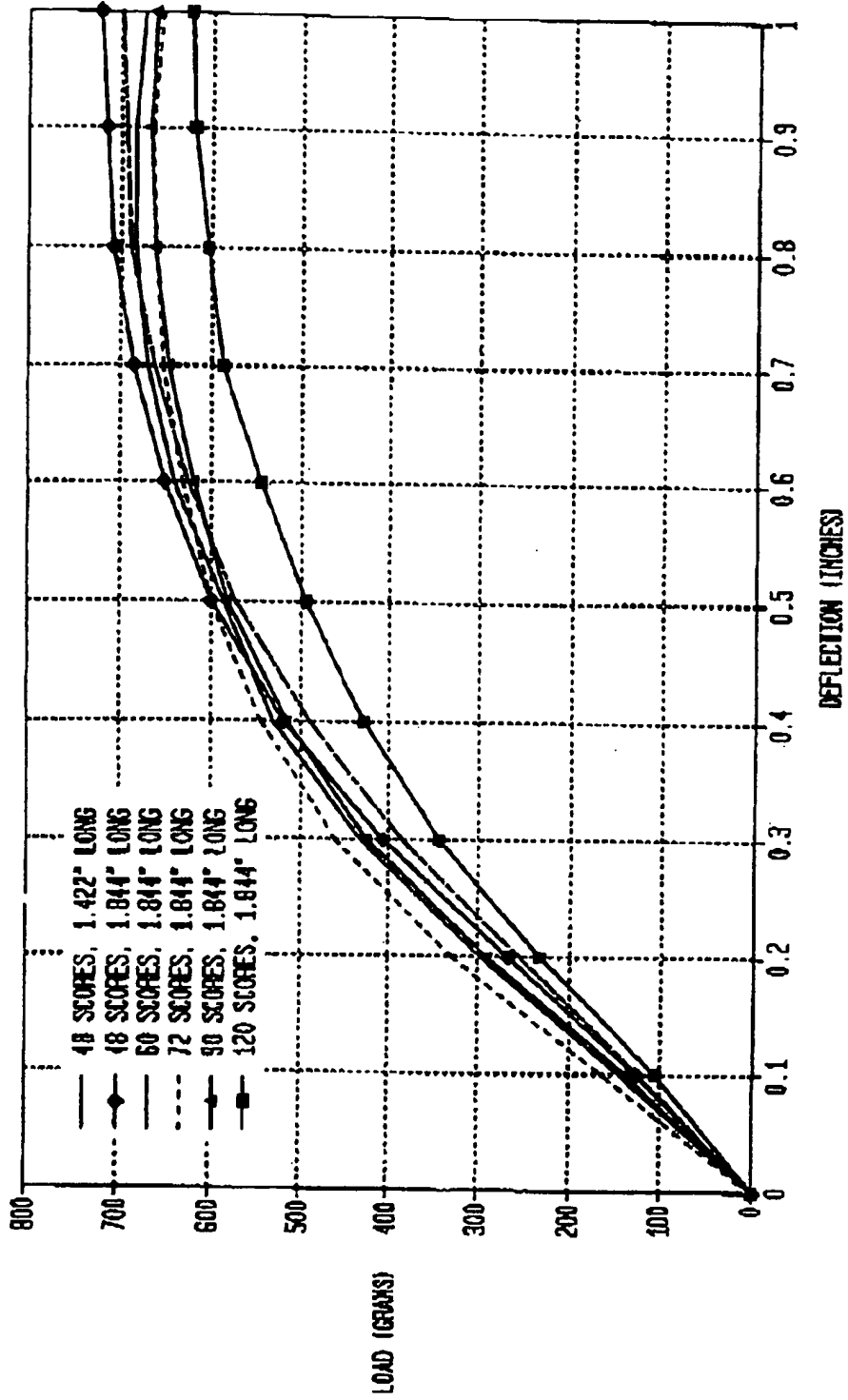


FIG. 13A

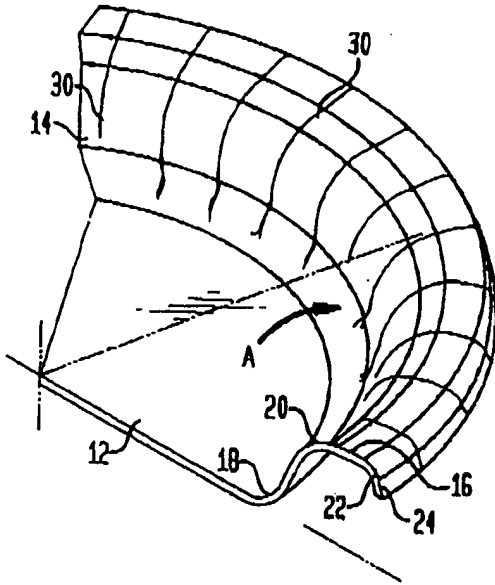


FIG. 13B

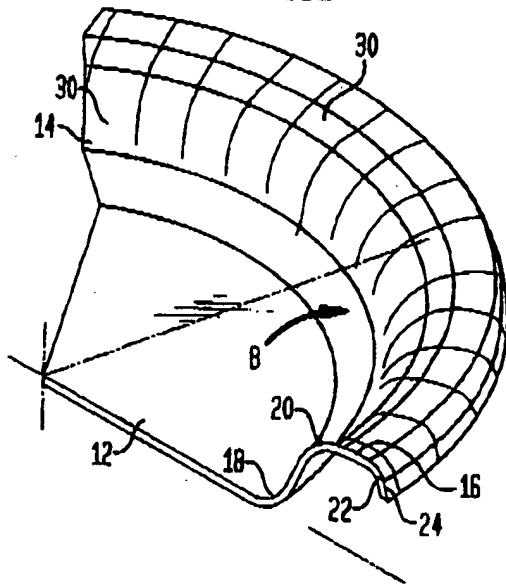
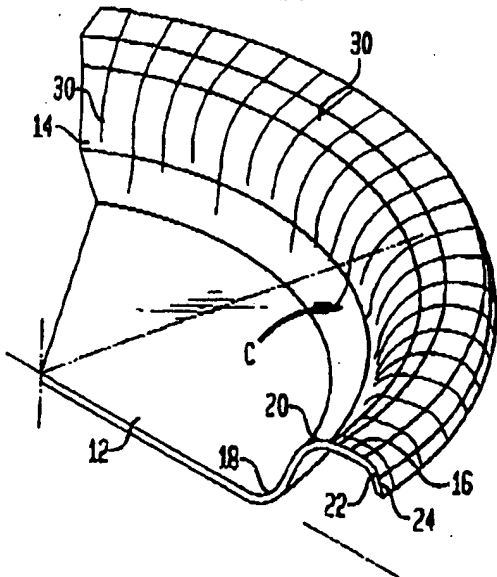


FIG. 13C



FOOT-48482650

FIG. 14

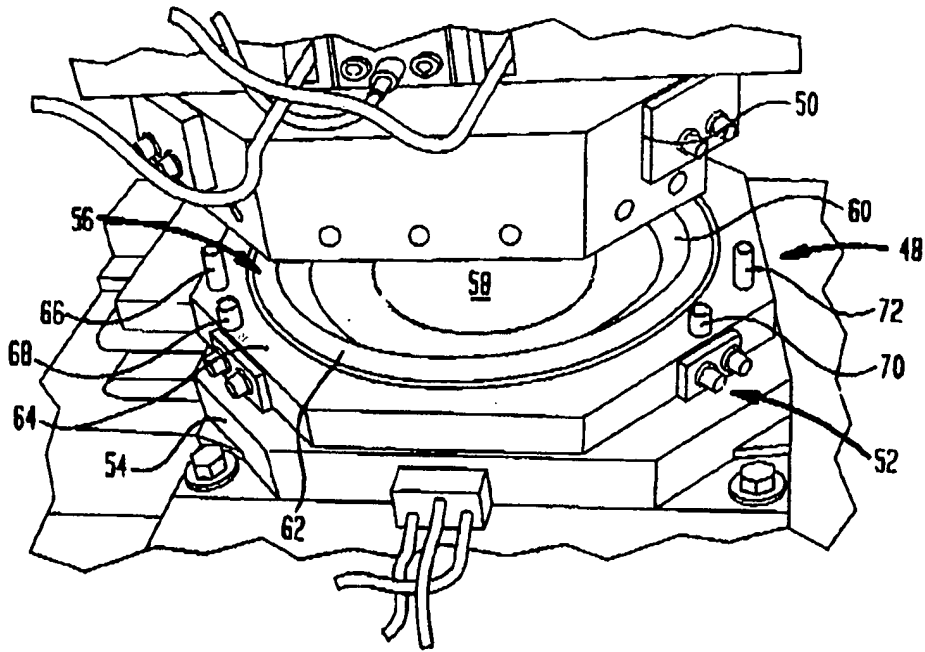
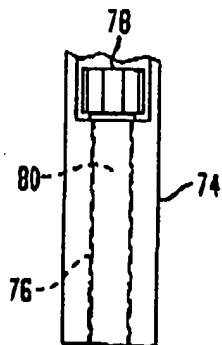


FIG. 15



TOP FOR 4943660

FIG. 16

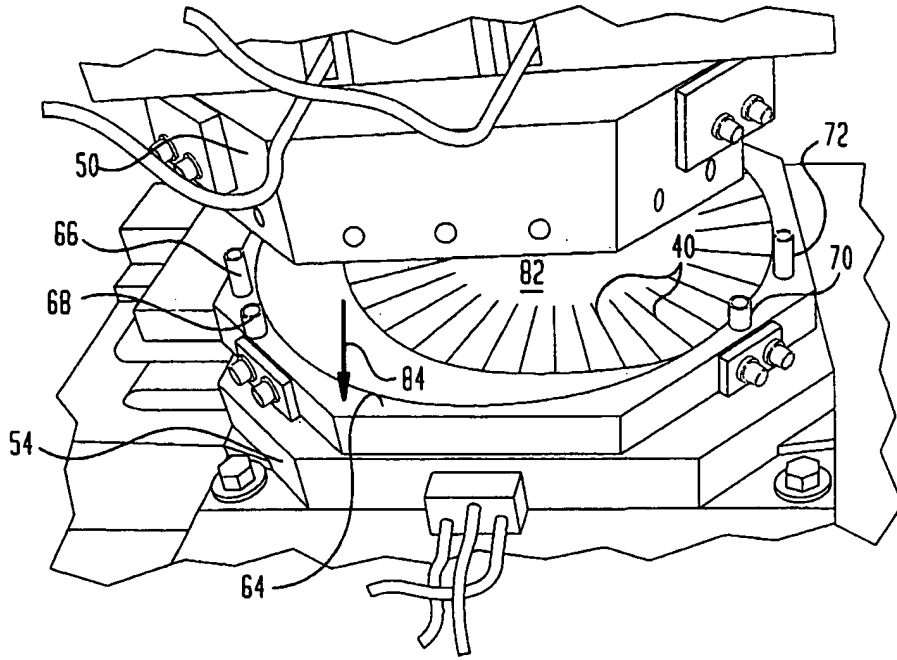
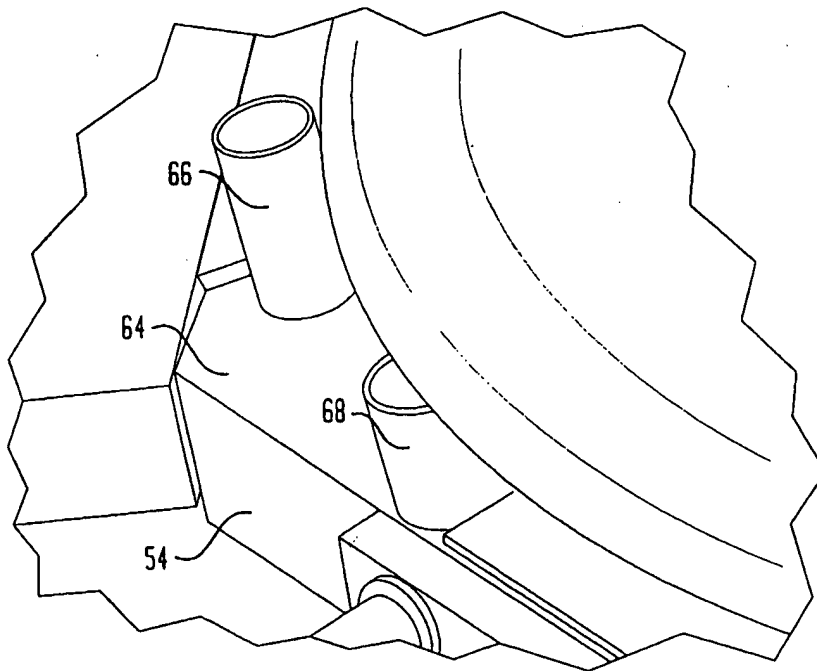


FIG. 17



099848-10101